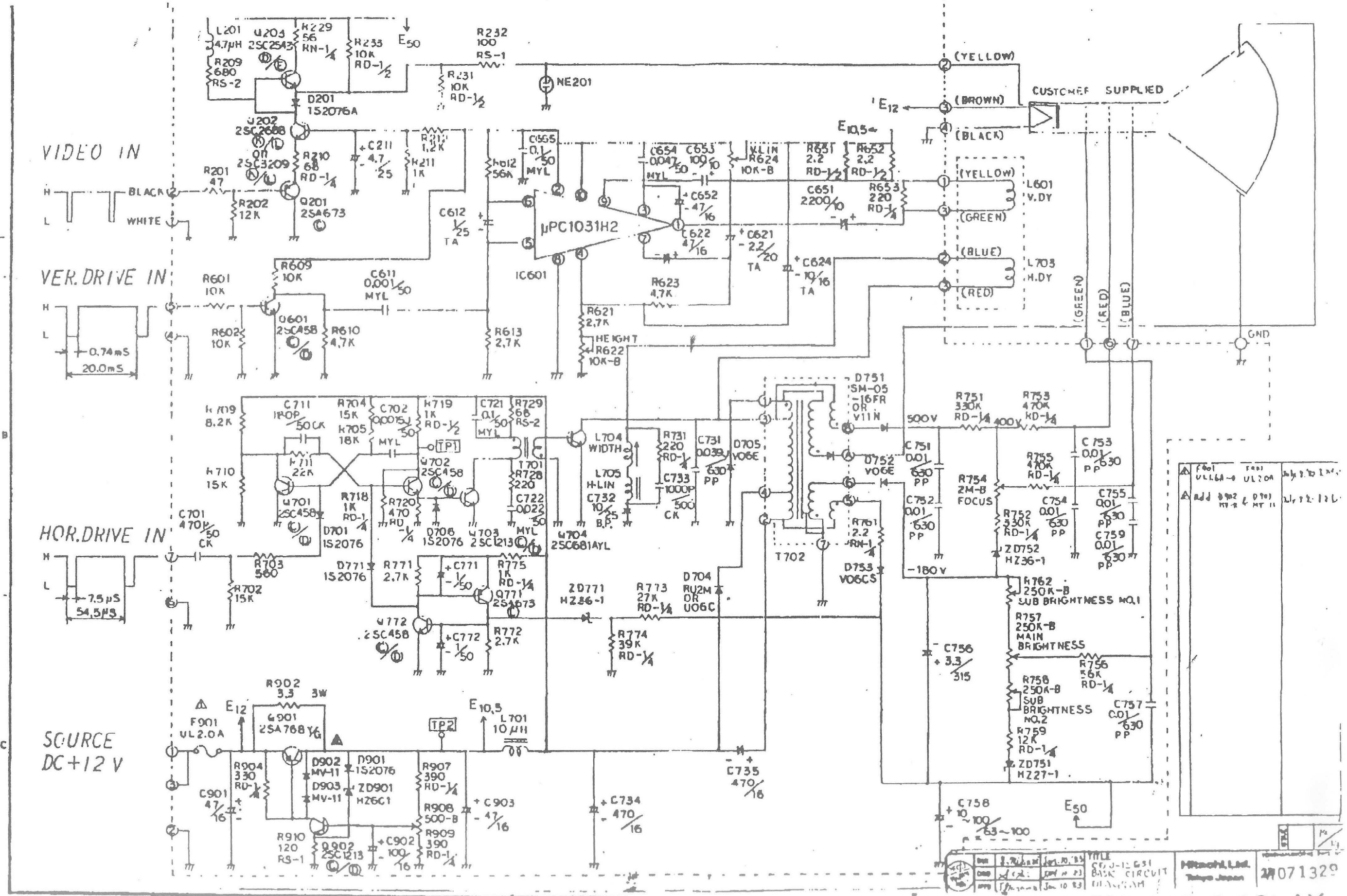


VIDEO SERIE 700

09M-13D 22:17 GMT/COMMODORE SANTA CLARA CA



Foot	UL16A-B	UL20A	UL20A
Part	UL16A-B	UL20A	UL20A
Qty	1	1	1
Notes			

SCHEMATIC FOR PCB DISPLAY

DATE: 10/10/83
 TITLE: SCHEMATIC FOR PCB DISPLAY
 DRAWN BY: [Signature]
 CHECKED BY: [Signature]
 APPROVED BY: [Signature]

Mitsubishi Ltd. Tokyo Japan
 27071329