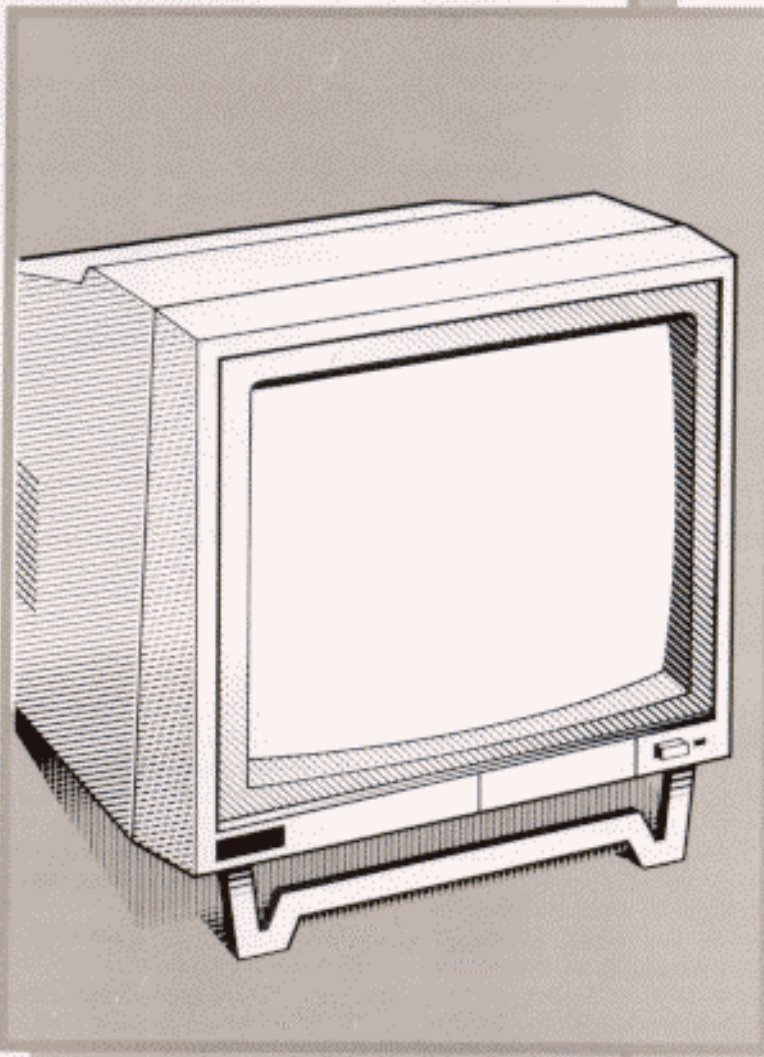


**PHILIPS**



BM 7500  
BM 7502  
BM 7520  
BM 7522  
BM 7542  
BM 7550  
BM 7552

*Scanned and converted to PDF by HansO, 2005*

### Introduction

This monitor can be used as an alphanumeric and graphic display unit for home and personal computers. The screen itself is anti-reflecting which means that the legibility of the data is extremely good. The monitor has a composite video signal input. Some of the models also have an audio signal input.

See the technical specifications section for further information.

### Connection to the mains supply (for UK only)

Your new monitor is designed to operate from an a.c.mains supply of 220-240 volts, 50 Hz. Stabilising circuits ensure satisfactory performance within normal supply variations.

**Important:** This apparatus must be earthed. This can be achieved by fitting a 3 pin plug. The wires in the earthed mains lead are coloured according to the following code:

BLUE	= NEUTRAL
BROWN	= LIVE
GREEN/YELLOW	= EARTH

If the mains plug (or adaptor) contains a fuse, the value of this fuse should be 3 Amp. Alternatively, if another type of plug (not fused) is used, the fuse at the distribution board should not be greater than 5 Amp.

If the colours of the wires in the mains lead do not correspond with the coloured markings identifying the terminals in your plug, proceed as follows . . .

The BLUE wire should be connected to the terminal marked 'N' or coloured black.

The BROWN wire should be connected to the terminal marked 'L' or coloured red.

The GREEN and YELLOW wire must be connected to the terminal in the plug

marked by 'E' or the earth symbol  $\perp$ , or coloured green or green and yellow.

Before replacing the plug cover, make certain that the cord grip is clamped over the sheath of the lead – not simply over the three wires.

### Service for you

Your monitor has been designed and manufactured to the highest standards, and subject to rigorous testing. Provided it is properly operated and maintained it will perform well for many years.

However, we all know that in such complex equipment components can sometimes fail.

The legal responsibility for meeting any in-guarantee service needs for your receiver rests with the dealer from whom you bought it. Our own Service Division – Philips Service – provide your dealer with comprehensive technical advice, and distribute approved spare parts from their Service Centres throughout the country.

If your dealer has no service facilities, he can arrange for any work to be carried out by a competent third party organisation.

In any event you may expect speedy attention to restore your set to full working order without delay.

### Free service for 12 months:

The dealer from whom the receiver was purchased will arrange for any defect in manufacture or material to be rectified without charge for a period of 12 months from the date of initial consumer sale provided:

(1) reasonable evidence is supplied that the set was purchased within 12 months prior to the date of claim

(2) the defect is not due to use of the set on an incorrect voltage or contrary to the Company's Operating Instructions or to accidental damage (whether in

transit or otherwise) misuse; neglect; unauthorised or inexpert modification, or repair.

The picture tube of your set is separately guaranteed for 12 months by Philips Service.

#### **Service after 12 months:**

Continuing service after 12 months is available in the same way but the service will be chargeable.

These statements do not affect your statutory rights as a consumer.

## **Positioning**

### **Ventilation**

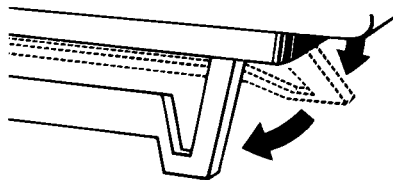
In order to prevent overheating, ensure that the ventilation openings in the monitor are **not** covered.

The monitor should not be placed near a source of heat.

### **Connection to the mains supply**

The monitor should be connected to a mains voltage of 220 V/50 Hz (for England 240 V/50 Hz). If your home has a different mains voltage, consult your dealer.

### **Movable support**

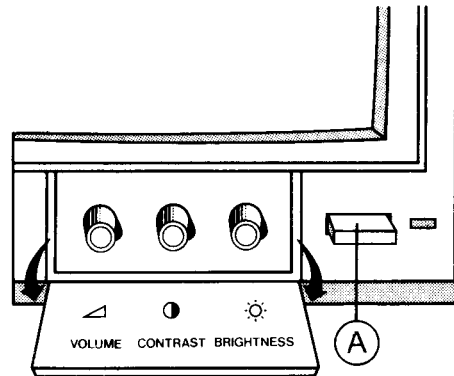


You can tilt the monitor into a convenient position with regard to the computer by using the movable support.

## **Operation**

### **Switching on**

- Press button (A) (LED lights up).



### **Picture**

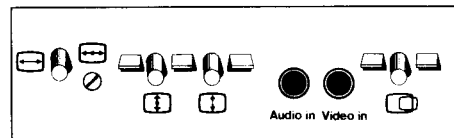
- Adjust brightness with knob ☀.
- Adjust contrast with knob ●.

**N.B.** The image has been set correctly when the background is no longer visible and you can only see the characters.

### **Sound (if available)**

Adjust volume with knob ▲.

### **Controls (rear panel)**



- Image width can be adjusted with knob ☒.
- With the help of a screw driver control ☒ can be adjusted to straighten the image.
- If the image starts to slip, it can be stabilised with knob ☒.
- You can adjust the image height with knob ☒.
- You can move the image to the left or the right with knob ☒.

### **Connections (rear panel)**

The input sockets marked Audio in and

## Technical specifications\*

### Picture tube

Type	: 12 inch, high resolution picture tube with anti-reflecting screen
Deflection	: 90°
Phosphorous	: green/amber/white(depending on the type number)

### Monitor input signals

1. CINCH plug (video)	: composite video signal with negative synchronisation (1 V $\pm$ 0,5 Vpp). Impedance 75 Ohm.
2. CINCH plug (audio)	: audio signal (100 mV - 2 Veff). Impedance 10k Ohm.

---

Video bandwidth	: > 20 MHz
-----------------	------------

---

Resolution	: > 850 lines in centre
------------	-------------------------

---

Characters	: 2000 characters (80 characters x 25 lines)
------------	----------------------------------------------

---

Line frequency	: 15625 Hz $\pm$ 600 Hz
----------------	-------------------------

---

Raster frequency	: 50/60 Hz
------------------	------------

---

Sound output	: 0.3 W - 5% distortion
--------------	-------------------------

---

Mains voltage	: 220 V AC/ $\pm$ 10% (or 240 V AC/ $\pm$ 10% for England)
---------------	------------------------------------------------------------

---

Power consumption	: 30 W
-------------------	--------

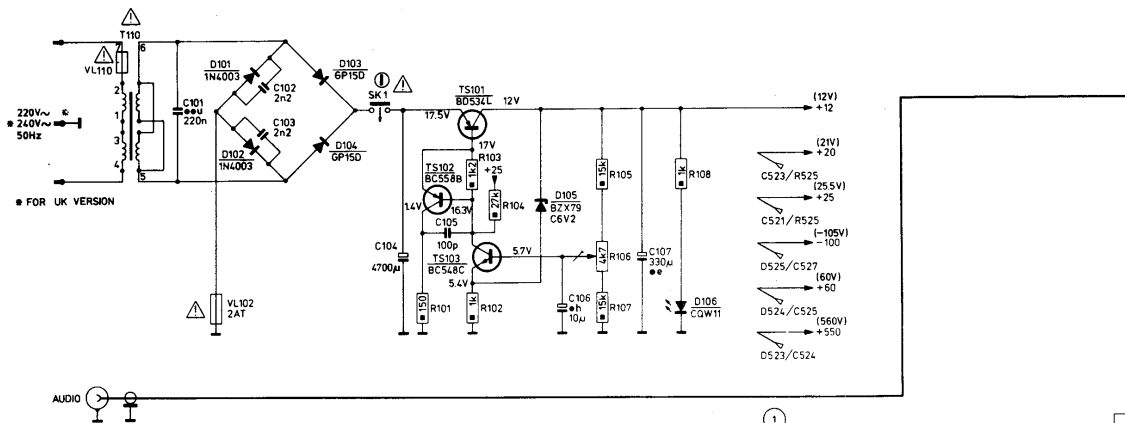
---

Dimensions in mm	: 305 x 303 x 280 (w x d x h)
------------------	-------------------------------

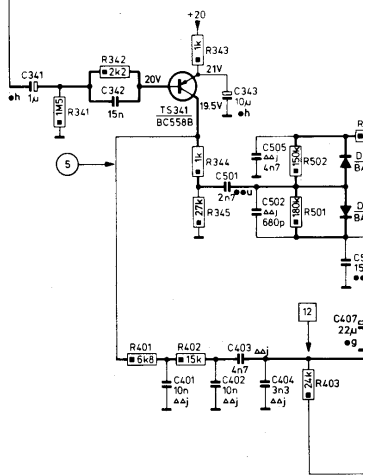
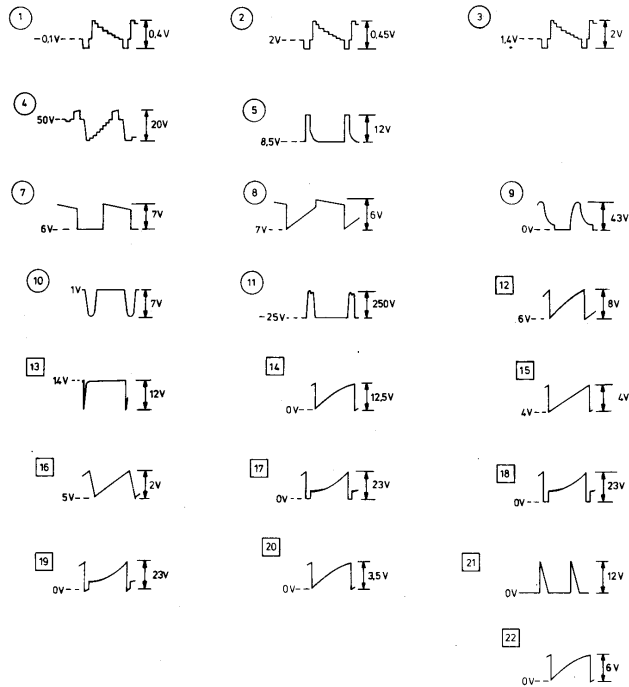
---

Weight	: 6 kg
--------	--------

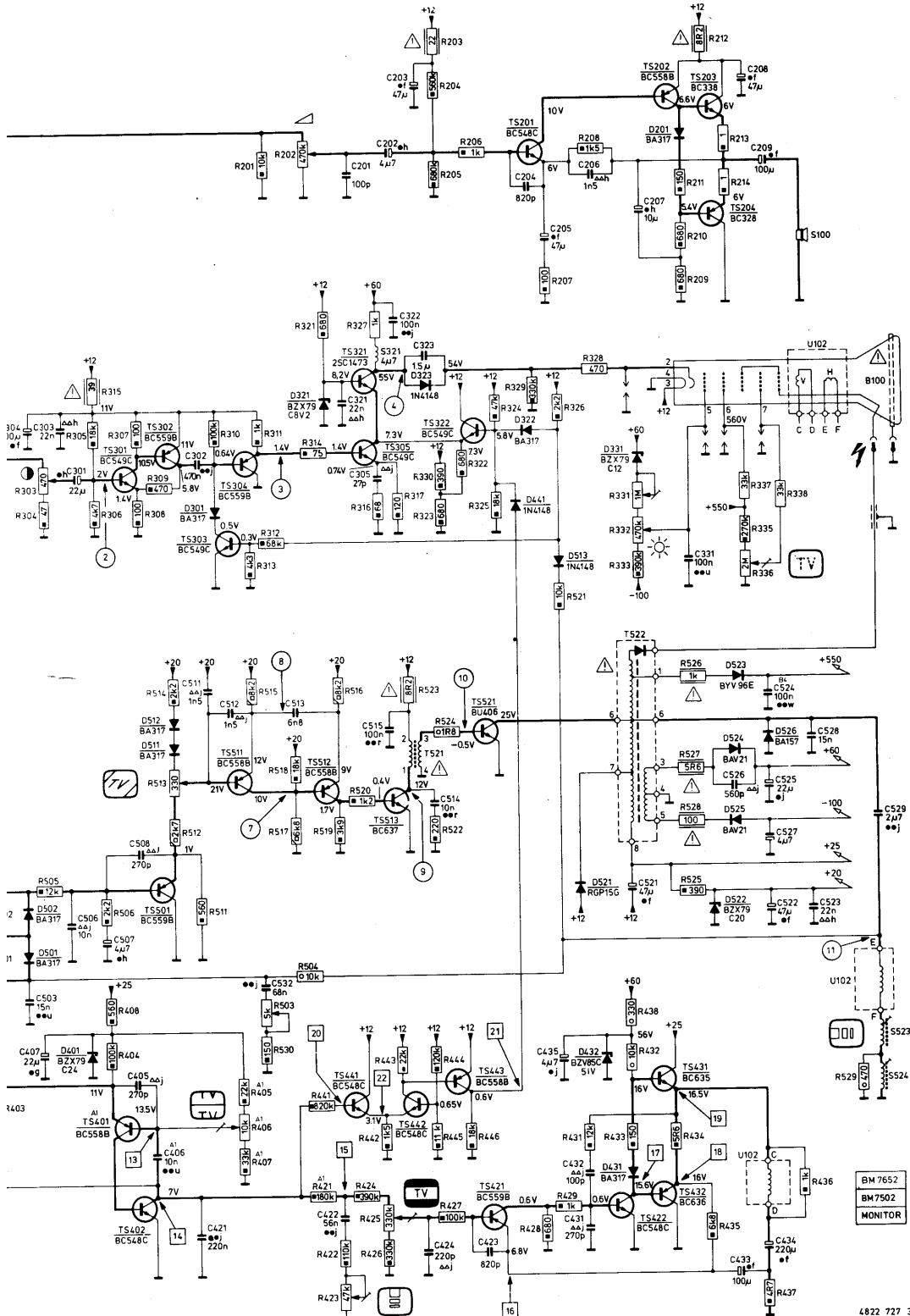
\* May be altered without notice.



- SAFETY RESISTOR  
RESISTENZA DI SICUREZZA
  - SFR25 - 0.125W 5%
  - CR37 - 0.25W 5-10%
  - CERAMIC - CERAMICO
  - FLAT - FOIL - PIATTO
  - ELECTROLYTIC
  - 20kΩ/V
  - MAX. MIN.
- \* e = 16V  
f = 25V  
h = 53V  
j = 100V  
r = 250V  
w = 600V
- OSCILLOGRAMMI: (PM5519)  
REGOLARE L USCITA VIDEO S4 0.4Vcc  
CON IL GENERATORE SULLA  
SCALA DEI GRIGI
- OSCILLOGRAMS: (PM5519)  
GENERATOR ON GREY SCALE AND  
VIDEO OUTPUT ADJUST ON 0.4Vpp
- MASSIMO    ☀ MASSIMO    ● MAX.    ☀ MAX.



SUBJECT TO MODIFICATION - WIJZIGINGEN VOORBEHOUDEN - SAUF MODIFICATION - ANDERUNGEN VORBEHALTEN - SEGGETTO A MODIFICHE



4822 727 3127.4

35 278 E20 (514)



